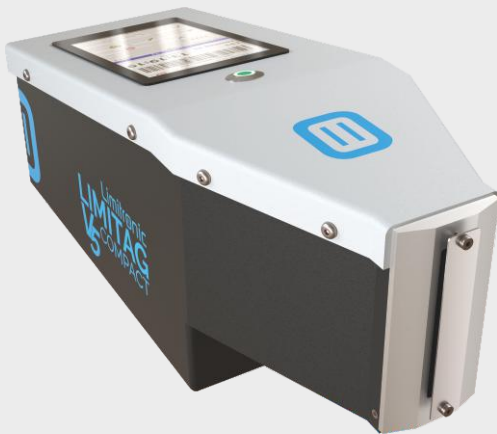


Limitag V5 Compact

Compact design / mono-block

High quality printing
at a reduced cost



PROS

- Personalisation. Short runs. Promotions
- Stock reduction of pre-printed boxes
- Practically zero maintenance
- No interruptions when adding consumables



FEATURES

- Native 180dpi resolution
- Multiple densities and contrasts
- High quality barcode printing. GS-1 standard
- Intuitive user environment
- On screen preview of printing layout (WYSIWYG)
- Oil based and UV LED ink
- Integrated Wi-Fi
- External message selection through hardware



SPECIFICATIONS

PRINT

Printer head resolution: 180 dpi

Print speed:

30 m/min @ 180dpi
0.2 - 96 m/min according to the resolution

Height: 72 mm

Maximum length: 1100 mm

Densities: 3 levels

Fonts:

True Type™, Open Type™ fonts

Character coding: Unicode

Barcodes:

GS-1 Standard
EAN/UPC, ITF-14, GS1-128, GS1 Datamatrix,
GS1 QR Code

Printing in various fields:

User (personalised fields) and automatic based fields (expiration dates, shift codes, counters)

Orientation:

Vertical (side of the product)

ELECTRICAL

Power supply:

Auto-range
88-264VAC / 47-63 Hz, 108 W (max)

Input:

2 x printer signals
1 x encoder
5 x programmable electronics (external message selection)

Output:

2 x programmable electronics

Communication ports:

1 x RS-232
1 x Ethernet 10/100
1 x USB
1 x WiFi

ENVIRONMENTS

Working environment:

5 - 40 °C (41 - 104 °F)

Protection:

IP 50

USER INTERFACE

Touch screen, colour, 7"
Message selection with preview
WYSIWYG
Diagnostics

COMMUNICATIONS

Individual communications protocol
Windows™ Driver
Remote assistance

OTHERS

Weight: 4.5 kg

Ink:

Oil based ink
UV LED ink

Colours:

Black
Black (high contrast)
Cyan
Magenta
Yellow
Others (consult)



PRINTABLE PRODUCTS

Cardboard, glossy paper, art paper, paper, fabrics, wood, plastic, metal, nylon, EPS, and more.

OPTIONS

Encoder, alarm beacon, purge assist

Limitag v5 Compact

UV LED

UV LED



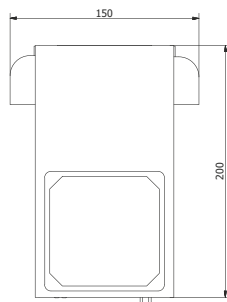
Printing immediately sets
Useful, long life span with low maintenance
Energy efficient

FEATURES

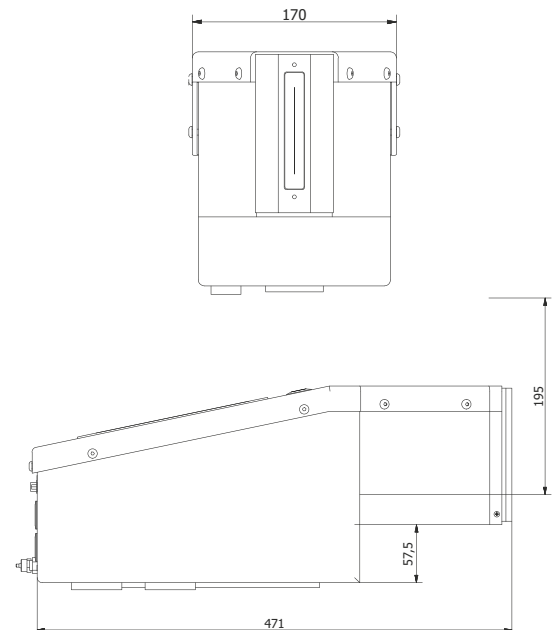
Several heights available
Instant on/off
Safety through double activation input
Adjustable intensity



UV LED DIMENSIONS



V5 PRINTER DIMENSIONS



GSI
GRAPHIC SOLID INKS

Graphic Solid Inks, Inc.

6845 Shiloh Rd E

Alpharetta, GA 30005

Ph: 678.264.4008

Email: info@gsinks.com

gsinks.com