



**SoloSeries**  
Thermal InkJet Printing

Inkjet  
Technology by  
**hp**  
invent

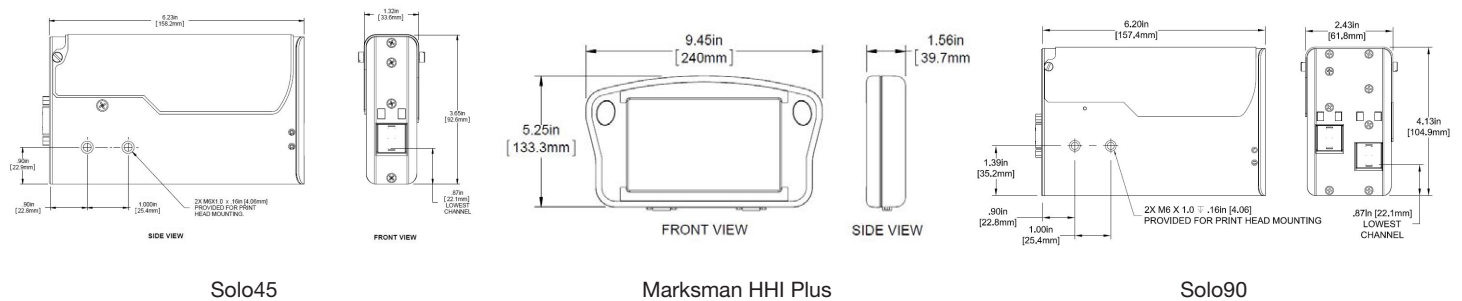


## Features and Benefits



- **7" Handheld Marksman HHI Plus controller** with color touchscreen simplifies message creation and system operations with pop-up keypad compatible with Unicode supported languages
- **Enclosed industrial printheads** feature stainless steel faceplates with built-in photo sensors to detect product speed and direction and a hinged cover for easy access to ink cartridges
- **Print up to 10 lines** of high resolution text per inch including alphanumerics, barcodes and logos
- **Smart level ink detection system** provides users with ink level status while automatically adjusting printhead settings for the ink type
- **Multiple printhead configurations** allow you to drive up to eight Solo45 (1/2") or four Solo90(1') printheads on two independent production lines

## Dimensions



## Specifications

|                                 |  |                                       |  |
|---------------------------------|--|---------------------------------------|--|
| <b>Controller</b>               | Marksman HHI Plus  | <b>Printing Method</b>                |  |
| Touchscreen Display             | 7" Color   | Printheads                            | Solo45 (1/2"), Solo90 (1")   |
| Operator Interface              | Graphical User Interface, WYSIWYG Editor                                   | Technology                            | FoxJet HP Thermal Jet  |
| QWERTY Keypad                   | Touchscreen Pop-up, Unicode Compatible                                     | Print Height                          | 1/2" and 1" Print Heads  |
| Enclosure                       | Industrial Thermoplastic, Drop resistant                                   | Print Resolution                      | 300x300 dpi  |
| Memory                          | 512 MB for Unlimited Message Storage                                       | Standard Print Speeds                 | Up to 200 fpm  |
| Connectivity                    | 1 Ethernet, 1 USB, 2 RS232   | Print Speeds w/<br>Reduced Resolution | Up to 500 fpm  |
| Capability                      | Drives Two Independent Production Lines                                    | Print Options                         | Top Down, Angled Conveyor, Waterfall   |
| IO Interface                    | No   | Print Distance                        | Up to 1/4"   |
| Auto Codes                      | Time, Date, Count, User Defined, Shifts, Operator Input                    |                                       |  |
| Barcodes                        | GTIN, UPC, I2of5, Code 128, GS1-128, Code 39, EAN, UCC, 2D Data Matrix, QR | <b>Ink Options</b>                    |  |
| Logos                           | Bitmap Images, PNG, TIF, JPEG  | Ink Cartridge                         | Cartridge, 42ml, 45SI  |
| Fonts                           | Arial Standard   | Ink Types                             | Porous and Non-Porous Inks, Water Based for Porous and Aqueous Coated Cartons, Enhanced Solvent Based Option with Maximized De-Cap Times for Non-Porous Substrates |
| Font Sizes                      | 1/10", 1/4", 1/2", 3/4", 1" tall   |                                       |  |
| <b>PC Interface</b>             |  | <b>System</b>                         |  |
| Windows PC GUI Software         | Graphical User Interface, WYSIWIG Editor                                   | Regulatory Listings                   | TUV (CE/CSA/UL)  |
| Networking Software w/ Database | No   | Operating Environment                 | 50°F to 104°F (10°C to 40°C)   |
| Direct Interface                | Protocol Provided  |                                       |  |