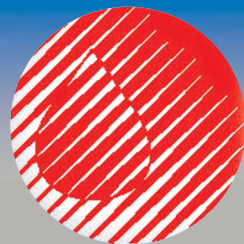


HandJet® EBS-250

Innovative Ink-Jet Coder



EBS®
Ink-Jet Systems



Portable ink-jet technology for now and the future.

The innovative *HandJet EBS-250* combines the proven success of our *PicAS EBS-230* production line ink-jet system and adds a unique, wireless interface developed through intensive research.

It signals a new era in portable, hand-held ink-jet coding.

Weighing in at just over two pounds – including its on-board rechargeable battery and ink cartridge – the *HandJet EBS-250* is the ultimate in lightweight, compact coding.

And with its patented print technology, the unit improves and economizes ink management to virtually obsolete traditional manual coding methods like stencil marking, hand stamps and roll coders.

By using solvent-based inks in an array of colors, the *HandJet EBS-250* provides fast, clean printing on a variety of corrugated materials, in addition to metal, glass and plastic substrates. The unit's high-volume ink-jet cartridge efficiently provides up to 100,000 characters with a dot matrix of 7x5.

The hand-held system also minimizes energy consumption to print for up to 50 continuous hours thanks to its rechargeable Li-Ion battery – and recharging takes only two and a half hours.



Easy formatting & wireless operation

The *HandJet EBS-250* uses a simple Microsoft™ Windows®-based program to format and transmit messages that are easily created on a personal computer. Messages can consist of alphanumeric and logos from Windows® fonts and symbols, as well as diacritical characters.

Formats can include date, time and ascending or descending sequential numbers. Up to 15,000 characters can be stored in the unit's memory, including up to 10 message blocks with several lines in each.

Messages are instantly transmitted to the *HandJet EBS-250* by a radio frequency USB interface at a distance up to 150 feet. A single PC can control multiple units with one RF interface.

For more information, contact EBS Ink-Jet Systems at **847-996-0739** or email america@ebs-inkjet.com.



www.ebs-inkjet.com

Microsoft™ and Windows® are registered trademarks of Microsoft™ Corporation USA and other countries.





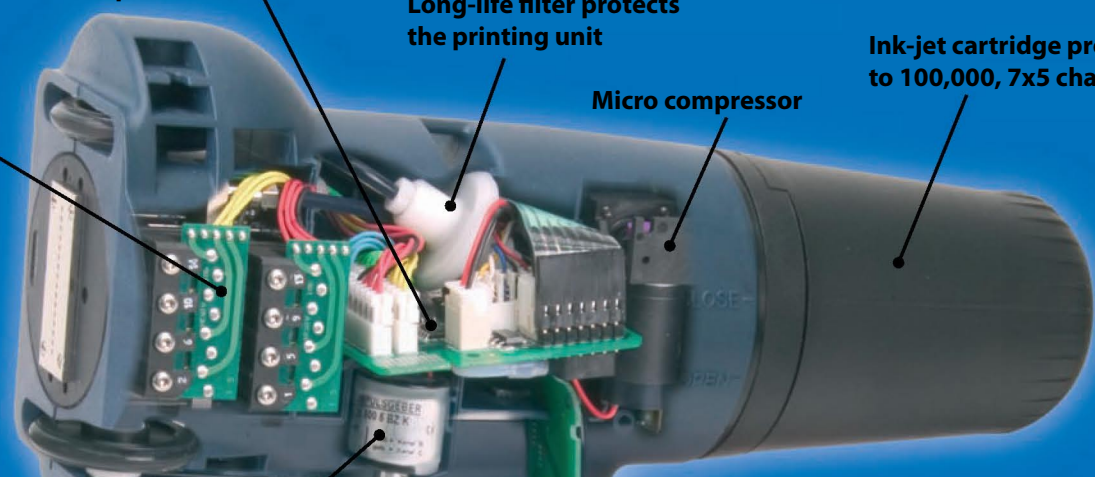
Efficient logic controller and microprocessor

Long-life filter protects the printing unit

Ink-jet cartridge provides up to 100,000, 7x5 characters

Compact, drop-on-demand printing with 16 nozzles

Micro compressor



Shaft encoder assures even printing

Shock-resistant, fiberglass-reinforced plastic housing

Buffered memory holds up to 15,000 characters

Radio interface communicates with a PC

Weighs just over 2 pounds

24-volt, high-performance rechargeable battery provides 50 hours of operation



HandJet® EBS-250

Specifications

Nozzles: 16

Nozzle diameter: 150 µm

Minimum size of printed object: 1.38" (35mm)

Working position: Any angle

Printing: Enables printing of up to 10 texts in successive lines

Maximum characters per text: 1500 – includes control character for built-in fonts

Text and print parameters: 1 to 10 – loaded into unit via PC

Graphics: Editing and printing of graphical text and symbols using Windows® fonts (True Type) standard

Special characters: National (diacritical) characters and graphics

Variable fields: Date, time, ascending/descending sequential numbers, universal counter

Programming:

- Wireless radio frequency up to 150 feet (46m)
- Text- and parameter-processing software; Windows® 98SE/ME/NT/2000/XP
- Network up to 20 units; radio-controlled from PC

Timing: Synchronized with rotational speed of the lower stabilizer, or at intervals by an internal generator

Power supply: Three (3) Li-Ion rechargeable batteries

Operating time: Up to 50 hours continuous operation with fully-charged battery at 68°F (20°C); automatic low-battery indicator

Recharging: Automatically using external 24-volt, 1-amp DC power pack; charging time less than 2.5 hours

Ink: Cartridges; ethanol-, acetone- or water-based in various colors

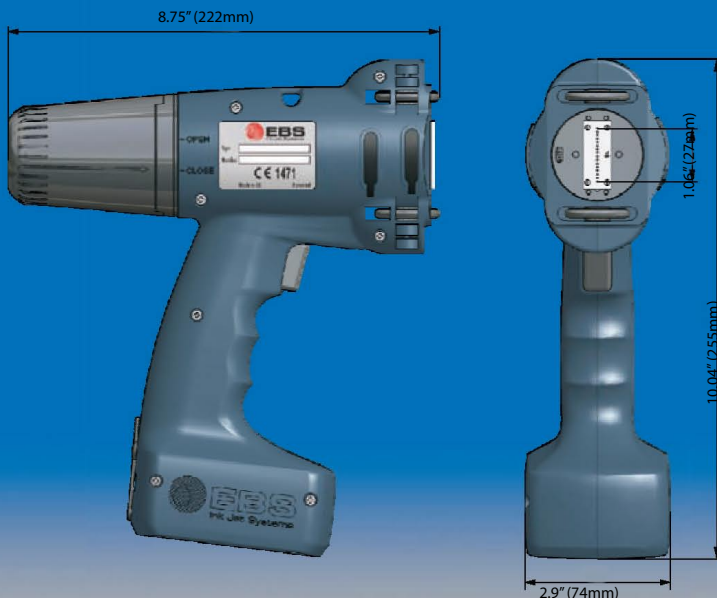
Cartridge capacity: 3.7 ounces (110ml); prints approx. 100,000, 7x5 dot-matrix characters or 17,000, 16x10 dot-matrix characters

Working pressure: 4.4 to 5.8 psi (0.3 to 0.4 bar) via internal pump

Operating temp: 33°F to 104°F (0.5°C to 40°C)

Storage temp: 34°F to 113°F (1°C to 45°C) – water-based ink
14°F to 113°F (-10°C to 45°C) – ethanol- or acetone-based ink

Humidity: Up to 95% non-condensing; printer operates in rain on dry surface



Accessories

Standard:

- HandJet EBS-250/accessory case
- Spray bottle
- 24-volt, 1-amp power pack, cable
- CD w/utility software and user-support files
- Radio frequency module for wireless data transfer
- USB Cable for radio frequency module

Optional:

- Stabilizer wheels for use on curved surfaces



Patents:
WO 99/48694; EP 1219439; EP 12194323

Protection of designs



EBS Ink-Jet Systems USA, Inc.
1840 Industrial Drive, Suite 200
Libertyville, IL 60048
Phone: 1-847-996-0739 Fax: 1-847-996-0843
Email: america@ebs-inkjet.com
www.ebs-inkjet.com

Distributor:

MARKTEC
Automated Marking, Labeling & Packaging Systems
8785 Ag Park Drive North
Batavia, NY 14020
Tel: 1-800-627-5832 | Fax: 585-344-4109
www.marktecprods.com