

 **First in Quality. Built to Last.**



\*VSA1721

# **AUTO L-SEALER**

## **VALUE SERIES**

## **RELIABLE AUTOMATIC L-SEALING**

EASTEY Value Series Automatic L-Sealers offer the durability and functionality needed to handle a variety of applications efficiently.

### **MODELS**

VSA1721, VSA2530

### **BUILT RIGHT...PRICED RIGHT**

Proven reliable over and over again, these intermediate level EASTEY Automatic L-Sealers provide you with all the quality features found in much higher priced machines. They are designed and built to give you all the performance features needed for positive sealing a wide variety of films including polyolefin, polyethylene, and PVC.

### **PROVEN RELIABILITY, EFFICIENT DESIGN**

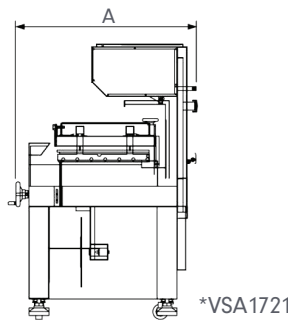
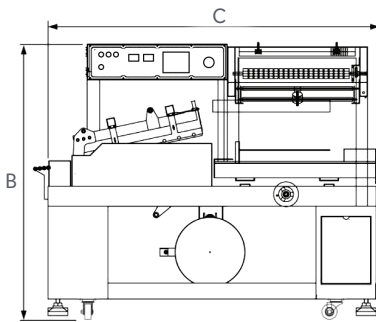
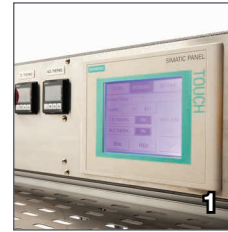
Designed specifically for entry-level or intermediate applications that require simple operation, small footprint, or a limited budget, Eastey's Value-Series Automatic L-Sealers will handle the day to day abuse required for automatic sealing.

### **STANDARD FEATURES**

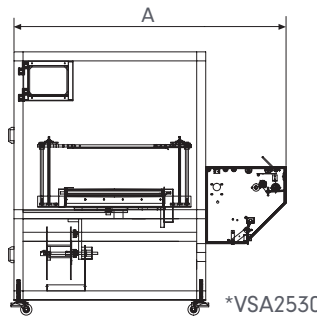
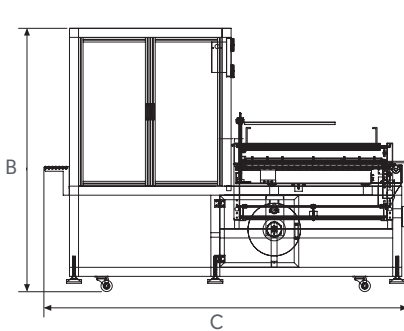
- Designed to seal most polyolefin, polyethylene, and PVC shrink films
- All-welded main frame from 12 gauge steel
- Normal speed infeed and outfeed conveyors
- High speed with product indexing
- Motorized seal height adjustment for various product sizes
- Seal head equipped with pneumatic air cylinder for automatic sealing
- Hot knife seal bar for consistent and clean seal
- Consistent pressure across seal bar
- Automatic cycle timing with adjustable dwell time
- HMI controller with simple menus for easy operation
- Film tracking wheels keep film in place
- Multiple pin perforator provides precise air evacuation
- Heavy duty casters for transportation within plant
- Leveling legs provide sturdy base once in place
- VSA1721 features a 17"W x 21"L seal area
- VSA2530 features a 25"W x 30"L seal area
- Scrap unwind automatically wraps up the scrap film left from the sealer
- Easy to use design requires minimal training and maintenance
- VSA1721 maximum film width up to 22"
- VSA2530 maximum film width up to 25"
- Maximum film roll OD up to 12"
- 80 psi
- Available in 220v



\*VSA2530



\*VSA1721



\*VSA2530

**1. VSA1721 HMI**

User interface features simple menus for easy operation and adjustments required for a variety of applications

**2. VSA2530 HMI**

User interface features simple menus for easy operation and adjustments required for a variety of applications

**3. Pin Perforator**

Adjustable pin perforator provides air evacuation in the film for clean and tight film shrinkage

**4. Roller Exit Table**

Provides a smooth transition from the seal area to the shrink tunnel

MODEL NUMBER	MACHINE DIMENSIONS			FILM WIDTH	CONVEYOR HEIGHT		STANDARD POWER			WEIGHT	SHP WT.
	WIDTH(A)	HEIGHT(B)	LENGTH(C)		MIN	MAX	VOLTS	AMPS	PHASE		
VSA1721	45"	58"	72"	22"	31.5"	34"	220	10	1	1000 lbs	1100 lbs
	114 cm	147 cm	182 cm	55 cm	80 cm	86 cm				453 kg	498 kg
VSA 2530	71"	69"	95"	25"	33.5"	36"	220	15	3	1100 lbs	1200 lbs
	181 cm	175 cm	242 cm	64 cm	85 cm	91 cm				498 kg	544 kg

MARKTEC | 8785 AgPark Drive North | Batavia, NY14020  
800-627-5832 | F 585-344-4109 | marktecprods.com



7041 Boone Avenue North, Brooklyn Park, MN 55428  
(763) 428-4846 1 (800) 835-9344  
www.eastey.com info@eastey.com

